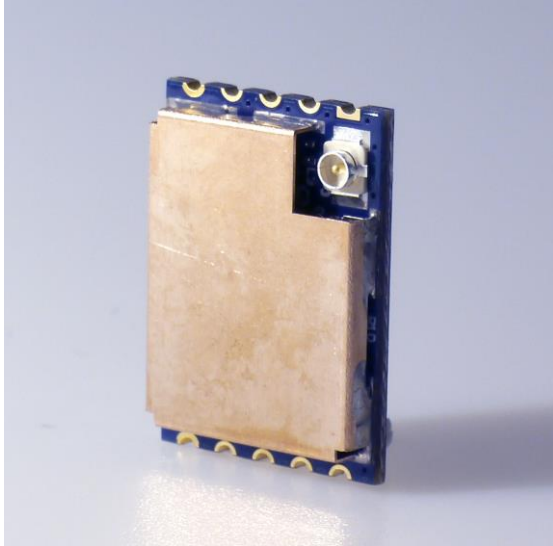




HYPERION TECHNOLOGIES

GNSS200 Series Global Navigation Receiver



HIGHLIGHTS

- Multi-constellation receiver
- Active or passive antenna compatible
- Tracking rate: 20 Hz
- Time to first fix: < 90 s
- TTL UART interface
- In-orbit position accuracy: < 8 m

- Low mass: 3 g
- Low power: < 150 mW peak
- Module dimensions: 20 x 15 x 3 mm

DESCRIPTION

The GPS200 Global Navigation Satellite System (GNSS) receiver is a low mass, low power GNSS receiver for use in (small) satellites. It is designed specifically for use in CubeSat platforms, and it can also be used in conjunction with the iADCS-series of attitude determination and control systems as well as the iACS series of attitude control systems.

It offers a multi-constellation output, and the standard version is delivered with a TTL UART output. It is designed to work either with active or passive antennas (to be defined at the time of ordering) and outputs NMEA compatible data as standard output.

It is possible to qualify the units for use in larger satellites as well, please contact Hyperion in case this is of interest.



SPECIFICATIONS

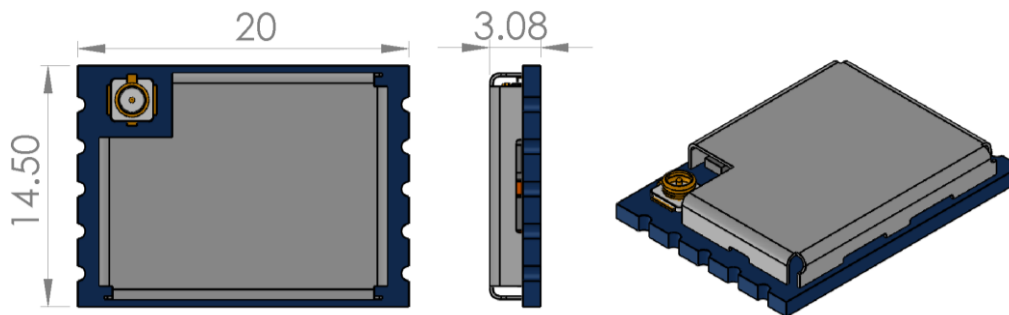
Performance				
Update Rate		> 10		Hz
Time-to-first-fix (TTFF)		<90 ¹ , <120 ²		s
Position Accuracy		< 8 ³		m
Velocity Accuracy		<TBD>		m/s
Dimensions				
Outer dimensions		20 x 14.5 x 3.1		mm
Mass		3		g
Environmental				
Operating temperature		- 40 to + 85		°C
Radiation tolerance		> 36		krad (Si)
Communication interface				
TTL UART Baud Rate		9600		bps
Electrical specifications				
	Min.	Typ.	Max.	
Supply voltage	3.25	3.3	3.5	V
Power consumption				
	Min.	Typ.	Max.	
Acquisition / Tracking	148	157	165	mW

¹ Using active antenna

² Using passive antenna

³ To be confirmed

MECHANICAL CHARACTERISTICS



GPS200 outer dimensions [mm]

For pricing, delivery, configuration and ordering information please contact Hyperion Technologies B.V. at info@hyperiontechnologies.nl, or visit Hyperion Technologies' website at www.hyperiontechnologies.nl.